



Radox 125 S2

Multicore cables screened

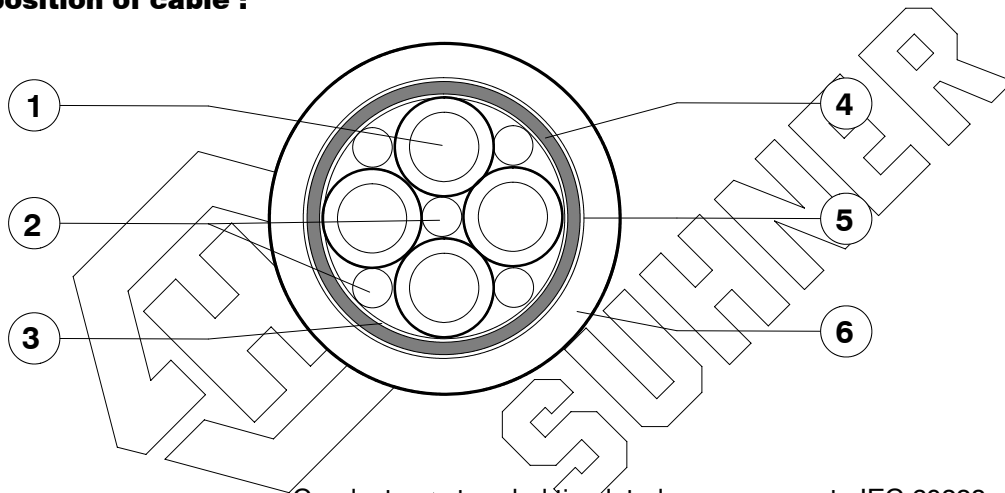
General Properties :

Excellent high temperature, low temperature, ozone and weathering resistance, halogen free, flame retardant, in case of fire no corrosive gases and low smoke generation, soldering iron resistant, flexible, easy to strip.

Application :

For permanent installation inside and outside to connect fixed and moving parts. Designed for connecting photovoltaic system components inside and outside of buildings and equipment with high mechanical requirements and extreme weather conditions.

General composition of cable :



- | | |
|--|--|
| <ol style="list-style-type: none"> 1. Cores
(for details see table 1) 2. Filler (if necessary) 3. Wrapping (if necessary) 4. Screen 5. Wrapping (if necessary) 6. Sheath | <p>Conductor : stranded tin-plated copper, acc. to IEC 60228 cl. 5
 Insulation : Radox 125 :extruded irradiation crosslinked polyolefin
 Colours : 2 to 5 cores acc. HD 308 S2
 6 and more cores BK numbered (+1 x GNYE)
 (colours acc. customer requirements on request)</p> <p>Radox 125
 Plastic tape</p> <p>Tin plated copper braid, covering : $\geq 85\%$
 Plastic tape</p> <p>Radox 125 M : extruded irradiation crosslinked polyolefin,
 Colour : black</p> |
|--|--|

Cable marking: HUBER + SUHNER SWITZERLAND RADOX 125 125zzzzz-zzzzzz _____ Production lot number

Technical Data :

Temperature range	fixed	- 40 ... +125 .. °C
Minimum temperature	flexing	- 25 °C
Maximum conductor temperature at short circuit (max. 5s)		+ 280 °C
Min. bending radius	fixed	4 x cable dia.
	flexing	5 x cable dia.

Copyright 2006 Huber + Suhrner AG. This document may not be copied nor be passed on to third parties without our written permission.
 Uncontrolled copy when printed (will not be updated).

The product fulfils the test and specification requirements described in this document for the stated areas of application and operating conditions. HUBER+SUHNER AG does not expressly or implicitly guarantee performance under additional or changed conditions. Deviations are to be agreed upon in writing.

HUBER+SUHNER

Wire+Cable Division

CH-8330 Pfäffikon

+41 (0)44 952 22 11

+41 (0)44 952 26 40

www.hubersuhner.com



Radox 125 S2

Multicore cables screened

The cables pass the following fire tests:

Vertical flame spread of a single cable EN 50265-2-1, IEC 60332-1

Vertical flame spread of bunched cables EN 50266-2-4, IEC 60332-3-24 Category C

Amount of halogen acid gas EN 50267-2-1, IEC 60754-1 0 mg/g

Corrosivity of combustion gases EN 50267-2-2, IEC 60754-2

Smoke density EN 50268-2, IEC 61034-2

Size n x mm ²	Conductor		Core Ø mm	R ₂₀ max Ω / km	Screen Ø mm	Cable Ø mm	Weight nom kg/100m	Nominal- voltage V	Test- voltage V	H+S Part-No.
	constr. n x mmØ	max.Ø mm								
4 G 0.5	19 x 0.18	0.9	1.7 ± 0.1	40.1	4.9	6.8 ± 0.3	8.4	450/750	2500	12 582 636
2 x 0.75	24 x 0.20	1.15	2.2 ± 0.1	26.7	4.9	6.9 ± 0.3	7.4	600/1000	3500	12 537 573
3 G 0.75	24 x 0.20	1.15	2.2 ± 0.1	26.7	5.5	7.6 ± 0.3	9.7	600/1000	3500	12 537 574
4 G 0.75	24 x 0.20	1.15	2.2 ± 0.1	26.7	6.2	8.4 ± 0.3	11.7	600/1000	3500	12 582 639
2 x 1	32 x 0.20	1.3	2.6 ± 0.1	20.0	5.8	7.9 ± 0.3	10.6	600/1000	3500	12 545 485
3 G 1	32 x 0.20	1.3	2.6 ± 0.1	20.0	6.3	8.7 ± 0.3	12.7	600/1000	3500	12 542 955
2 x 1.5	30 x 0.25	1.55	2.73 ± 0.1	13.7	6.3	8.4 ± 0.3	11.8	600/1000	3500	12 420 737
3 G 1.5	30 x 0.25	1.55	2.73 ± 0.1	13.7	6.5	8.7 ± 0.3	13.0	600/1000	3500	12 537 960
4 G 1.5	30 x 0.25	1.55	2.73 ± 0.1	13.7	7.7	10.0 ± 0.3	17.2	600/1000	3500	12 582 643
5 G 1.5	30 x 0.25	1.55	2.73 ± 0.1	13.7	8.1	10.6 ± 0.4	18.9	600/1000	3500	12 583 773
12 G 1.5	30 x 0.25	1.55	2.73 ± 0.1	13.7	12.3	15.35 ± 0.35	41	600/1000	3500	12 523 559
2 x 2.5	48 x 0.25	2.05	3.5 ± 0.1	8.21	7.7	10.2 ± 0.4	17.5	600/1000	3500	12 537 605
3 G 2.5	48 x 0.25	2.05	3.5 ± 0.1	8.21	8.3	10.8 ± 0.4	20.6	600/1000	3500	12 530 949
5 G 2.5	48 x 0.25	2.05	3.5 ± 0.1	8.21	10.5	13.1 ± 0.4	31	600/1000	3500	12 582 221
7 G 2.5	48 x 0.25	2.05	3.5 ± 0.1	8.21	13.2	16.3 ± 0.5	46	600/1000	3500	12 537 609
12 x 4	56 x 0.30	2.6	4.15 ± 0.15	5.09	18.6	22.5 ± 0.5	92	600/1000	3500	12 582 949
2 x 16	119x0.40	5.4	7.35 ± 0.15	1.24	15.9	19.4 ± 0.5	71	600/1000	3500	12 583 311
2 x 25	182x0.40	6.7	8.9 ± 0.2	0.795	19	23 ± 0.5	100	600/1000	3500	12 583 312
8 x 35	266x0.40	7.9	10.3 ± 0.2	0.565	36.6	43.1 ± 0.7	398	600/1000	3500	12 583 217